

AL-z8

Natural Gas Overpressure Regulator

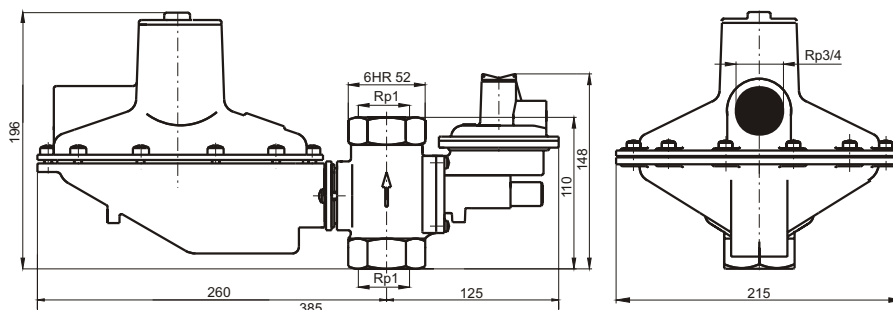
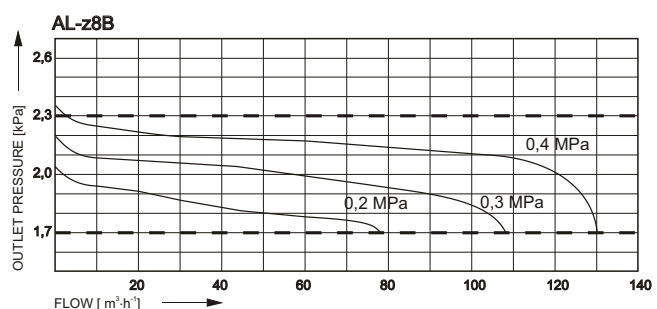
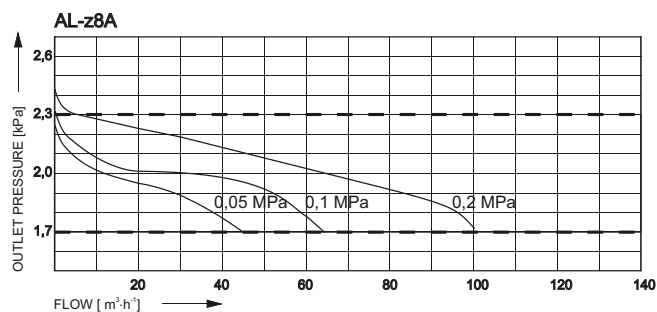
Use

The gas overpressure regulators AL-z8 are determined for the single-stage automatic regulation of inlet overpressure of natural gas to lower outlet overpressure. Outlet overpressure is kept in the specified tolerance with regard to the gas demand quantity, gas pressure fluctuation in pipeline and other adverse effects.

Merits

- Valve body of grey alloy, other cast stocks of aluminium alloy
- Possibility of turning of the emergency shut-off body by the 90° and the regulator body continuously from 0° to 360°
- In-built safety valve
- In-built emergency shut-off, which will close permanently the gas inlet to the regulator at gas overpressure drop or increase over the specified limit, and due to its construction it is not influenced each other with the regulating part of the regulator
- The regulator is demountable, repairable
- The service is secured
- It is equipped with the delivery point for the outlet overpressure check
- The single parts of the regulator are made out of materials resistant to the gas effects
- The screen against impurities penetration in the regulator is the part of the regulator
- The regulator is possible to be mounted in four positions in accordance with the required gas flow direction (for the flow direction bottom-up, top-down and horizontally from the right or from the left). The diaphragm plane always must be horizontal and the spring at the top.
- While using of the flanges the regulator enables simple exchange (without installation adjustment) for the regulators of the type Alz-6U (the same flanges and dimensions)
- The regulator works reliably also at lower inlet overpressure from 0,02 Mpa

Regulator Flow Characteristic



Basic Technical Data

Type	Inlet Over-pressure p_1 MPa	Outlet Over-pressure p_2 kPa	Closing Over-pressure p_c kPa	Protection Over-pressure p_p kPa	Safety Over-pressure p_s kPa	Capacity Q_v m³·h⁻¹	Peak Flow m³·h⁻¹	Weight kg	
AL - z8A	0,05 ± 0,2	2 ± 0,3	< 2,6	3,0 ± 0,1	$p_{bm\ ax} \leq 5,0$	30	90	6	
RT 15					$p_{bm\ in} \geq 0,5$				
AL - z8B	0,2 ± 0,4	2 ± 0,3	< 2,6	3,0 ± 0,1	$p_{bm\ ax} \leq 5,0$	60	120		
RT 15					$p_{bm\ in} \geq 0,5$				
Atypical Design									
AL - z8AX	0,05 ± 0,2	2 + 5 ± 15%	< 1,3 p _c	1,5 p _p ± 0,3	$p_{bm\ ax} \leq 5,0 \pm 11$	30	90		
RT 15					$p_{bm\ in} \geq 0,5$				
AL - z8BX	0,2 ± 0,4	2 + 5 ± 15%	< 1,3 p _c	1,5 p _p ± 0,3	$p_{bm\ ax} \leq 5,0 \pm 11$	60	120		
RT 15					$p_{bm\ in} \geq 0,5$				